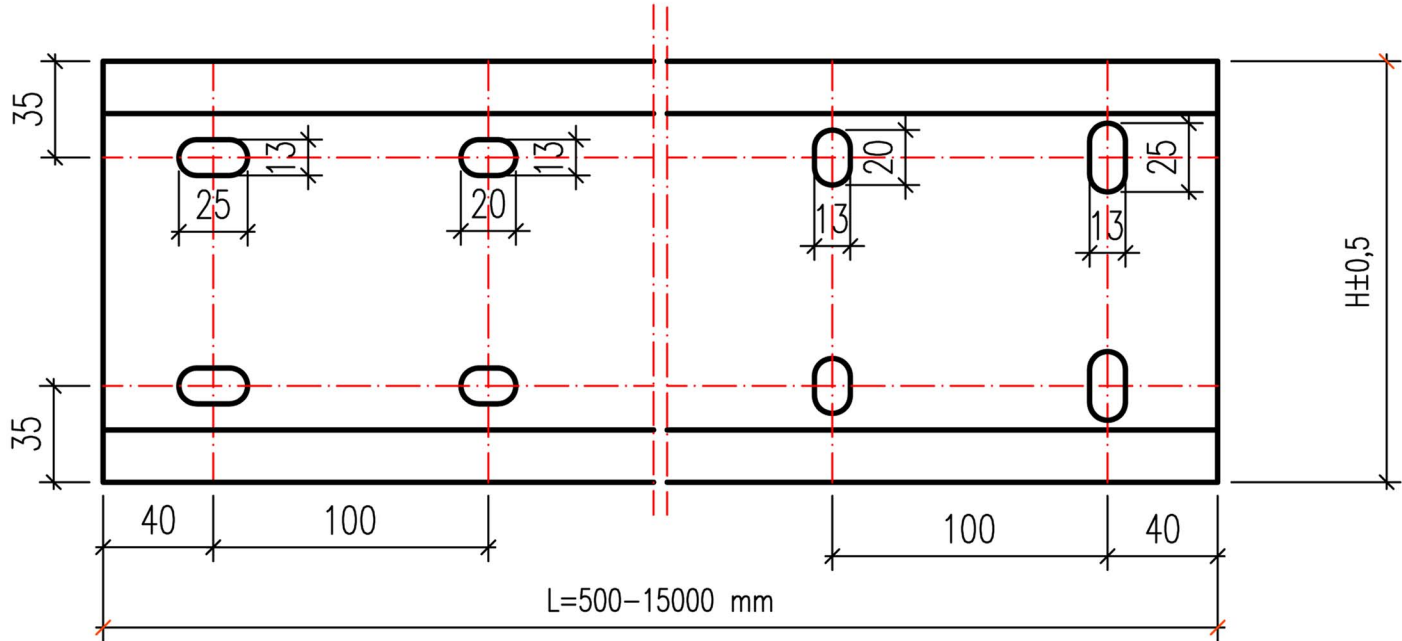
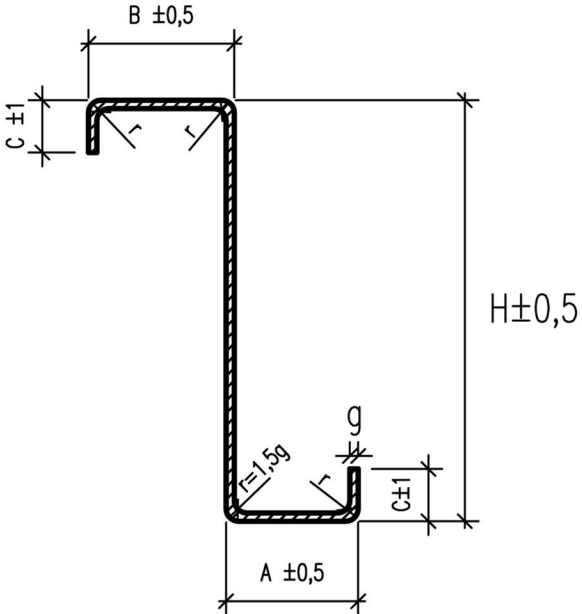


Profil Z 250



Z 250						
Z250x68/60	H [mm]	A [mm]	B [mm]	C [mm]	r [mm]	g [mm]
	250	60	68	19	3,0	2,0
	250	60	68	19	3,75	2,5
	250	60	68	19	4,5	3,0
Z250x75/65	H [mm]	A [mm]	B [mm]	C [mm]	r [mm]	g [mm]
	250	65	75	19	3,00	2,0
	250	65	75	19	3,75	2,5
	250	65	75	19	4,50	3,0